

JA-154A (JABLOTRON 100+)

Print / Save as PDF

If you want to save to PDF, please select
'Save as PDF' when the print dialog opens.

Wireless battery indoor siren

Type: 5SIR2303RJ

switch to the manual for the JABLOTRON Mercury system

*The product is a component of the **JABLOTRON** system. It serves for the acoustic indication of internal alarms. In order to function correctly, the device must be connected to a control panel unit with a radio communicator.*

Installation

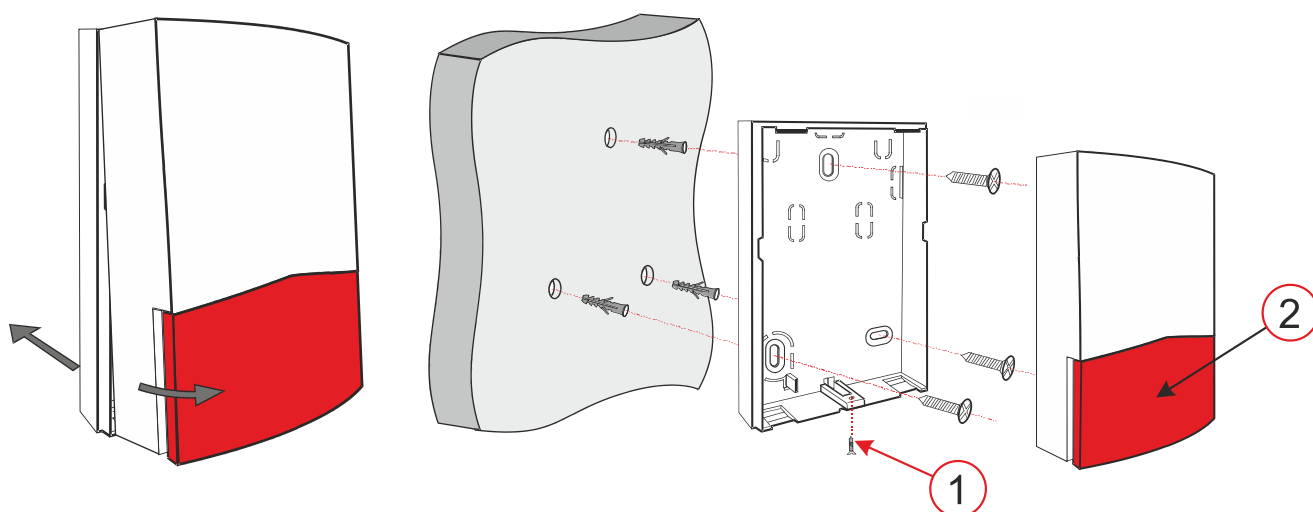


Fig. 1: Opening of the device and wall mounting

1 – locking screw; **2** – LED light guide;

1. Pull apart the lid at the bottom of the siren.
2. Screw the back plastic cover onto the chosen spot on the wall.
3. In the F-link program or mobile application select the desired position in the Peripherals tab and press Assign to activate the peripherals learning mode.
4. Insert 3 AA batteries into the holder (5). The siren appears in the selected position.
5. Complete the assembly of the siren.
6. Close the siren cover. To properly fulfill the appropriate security level, it is necessary to secure the front part with the arrest screw, which is included in the package.
7. Continue following the central unit's installation manual.

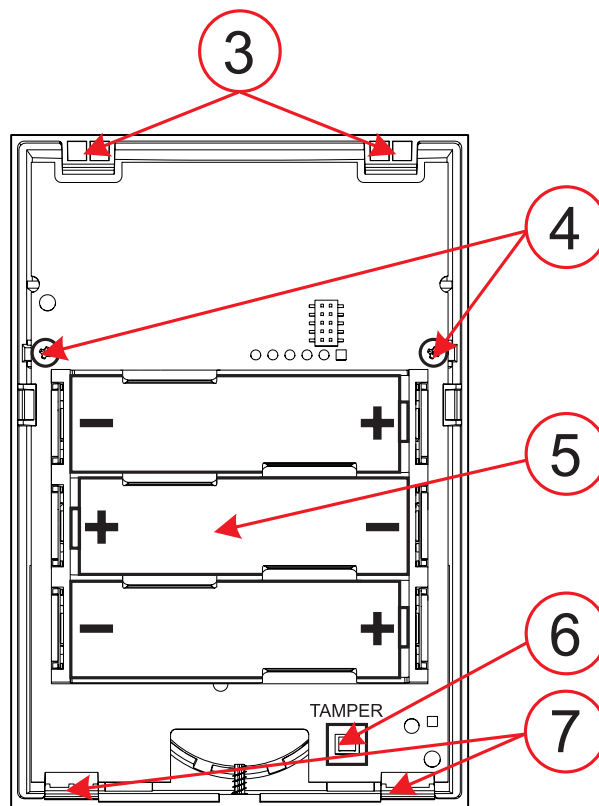


Fig. 2: Description of the internal parts of the product

3 – upper latches; **4** – screws; **5** – battery holder; **6** – tamper; **7** – bottom latches;

Operation and indication settings

The product settings may be adjusted in the F-Link software in the Devices section or in the mobile application.

The product offers two types of indications – acoustic and optical. The optical indication is manifested by illuminating the LED diode under the transparent part of the front cover either yellow or red. The yellow color indicates loss of communication or the system is in service mode or product is not assigned to the system, red indicates the alarm.

The asterisk symbol – * indicates the default setting, some parts of which can be changed when using the F-Link program.

Settings tab

Acoustic indication of alarms from sections

Determines for which section the siren will signal an alarm. The toot is factory set for all sections.

Reaction: determines whether the siren will sound on the **IW*** signal (internal alert) or **EW** (external alert). An alarm horn is also possible turn off completely (other functions remain).

Siren sound: Intermittent*/Continuous

Maximum siren time [min]: 1, 2, 3*, 4, 5 minutes

Different fire alarm indication: ON / OFF* – determines whether a distinction will be made between the acoustic interpretation of fire and standard alarm. The interpretation of the acoustic fire alarm is the same with smoke detectors with an internal siren, i.e. fast.

Other acoustic indication from sections

It determines for which section the siren will signal the other acoustic manifestations. The toot is factory set for all sections.

During section control: ON / OFF* – if on, the siren will beep when locking 1x, disarming 2x and disarming after alarm 3x. It only signals for set sections.

During warning: ON / OFF* – if on, the siren responds with three beeps on the impossibility of securing, in case of unsuccessful one locking and unlocking with alarm memory.

Entry delay: ON / OFF* – if turned on, the siren indicates entry delay setting sections.

Exit delay when partially set: ON / OFF* – if it is on, signals the exit delay of the set sections at partial security. This option is only available when enabled exit delay when fully secured.

Exit delay when fully set: ON / OFF* – if it is on, siren signals the exit delay of the set sections when is set up full security.

Upon loss of communication: ON / OFF* – acoustic signaling is not set by default when communication is lost. Only when changing the profile depending on meeting the appropriate security level will it switch to YES* and this setting cannot be turned off. The siren starts to report the loss of communication by honking after 110 minutes of no contact

with the control panel, and the duration is determined by the timer. If you select the option „**During the alarm time**“ in the timer options, the siren will follow the setting of this parameter in the control panel, which is a maximum alarm time of 20 min.

Level of volume of supplementary acoustic indication: Low/ Medium*/ Increased/ Highest.

Programmable: ON / OFF* – the slider can be used to set the time range when the acoustic indication should be increased.

Start of full volume interval: hh:mm – only displayed with Programmable volume.

End of full volume interval: hh:mm – only displayed with Programmable volume.

Optical signalling for section control and warning

When warning: ON / OFF*

When controlling sections: ON / OFF*

Signalling PG

LED indicates sounding PG output: ON / *OFF 1-32

PG output 1-32: No*/ Slow sound signal, 1xOn/2xOff, 20s sound signal, Melody 1, Melody 2, Melody 3, Melody 4

Siren indication priority

Acoustic alarm indication has the highest priority, followed by system control indication. Additional system activities have the lowest priority. Indication with higher priority always bypasses indication with lower priority.

Communication loss

The factory setting is that the siren does not signal a loss of communication with the control panel. The exception is changing the settings when changing the profile, this is possible provided, when security level 2 is met. In this case, the siren always signals a loss of communication with the control panel and this function cannot be turned off.

Battery replacement

System automatically reports when it is necessary to replace the batteries, before replacement the system must be put into service or maintenance mode, because otherwise a

tamper alarm should be triggered.


Technical specifications

Power	3x Alkaline battery, type LR6 (AA) 1.5 V/2.45 Ah Batteries are not included in the packaging.
Typical lifetime of batteries	approx. 2 years
LowBatt state	<3,3 V
Quiescent current consumption	135 μ A
Maximum current consumption	250 mA
Current consumption during acoustic indication	250 mA
Communication frequency	868,1 MHz, JABLOTRON protocol
Maximum radio-frequency power (ERP)	<25 mW
Maximal acoustic output	85–88 dB
Type of warning device	type W
Dimensions	100 x 67 x 40 mm
Weight (without batteries)	97 g
Classification	Security grade 2/Environmental class II (EN 50131-1)
Environment	Indoor general
Operating temperature range	-10 °C do +40 °C
Average operating humidity	75% RH, without condensation
Certification body	Trezor Test (no. 3025)

In compliance with

EN IEC 63000, EN 50130-4, EN 55032, EN IEC 62368-1,
ETSI EN 300 220-1, -2, EN 50131-1, EN 50131-5-3, EN
50131-4, EN 50131-6

Recommended screw

3 x  ø 3,5 x 40 mm (flat head)



JABLOTRON ALARMS a.s. hereby declares that the 5SIR2303RJ is in a compliance with the relevant Union harmonisation legislation: Directives No: 2014/53/EU, 2014/35/EU, 2014/30/EU, 2011/65/EU. The original of the conformity assessment can be found at www.jablotron.com – Section Downloads.



Note: Disposing of this product correctly will help save valuable resources and prevent any potential negative effects on human health and the environment, which could otherwise arise from inappropriate waste handling. Please return the product to the dealer or contact your local authority for further details of your nearest designated collection point.

JA-154A

MRJ54301
(1.7.2024)